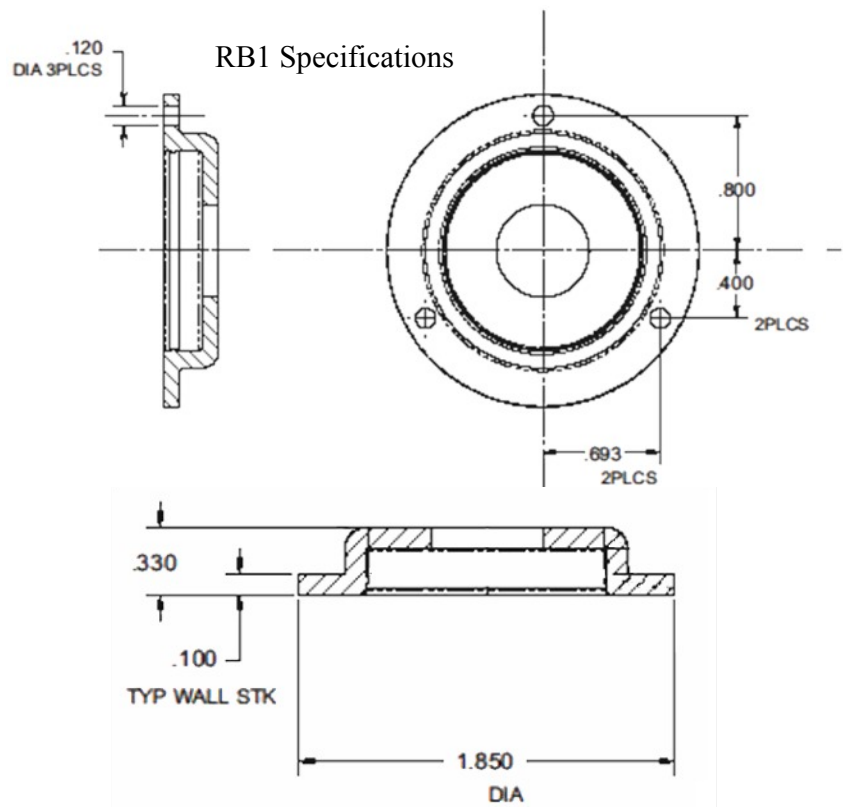




Available in  
Red or Blue  
Top mount  
IP67 rated for dust  
and liquid ingress

RB1 with bezel



The RB1 is low profile and made from high impact polycarbonate. Three illuminating LEDs makes this one of our most popular sellers. Top mounted for easy installation, vandal resistant, low profile, dust and water proof. Available in Red or Blue. Add function and elegance with the optional “Push for Service” bezel. Secured using rounded brad nails to prevent tampering. The RB1 can be used with any of our transceiver products, InSeat Transceiver, T1000 or T1000M2.

