

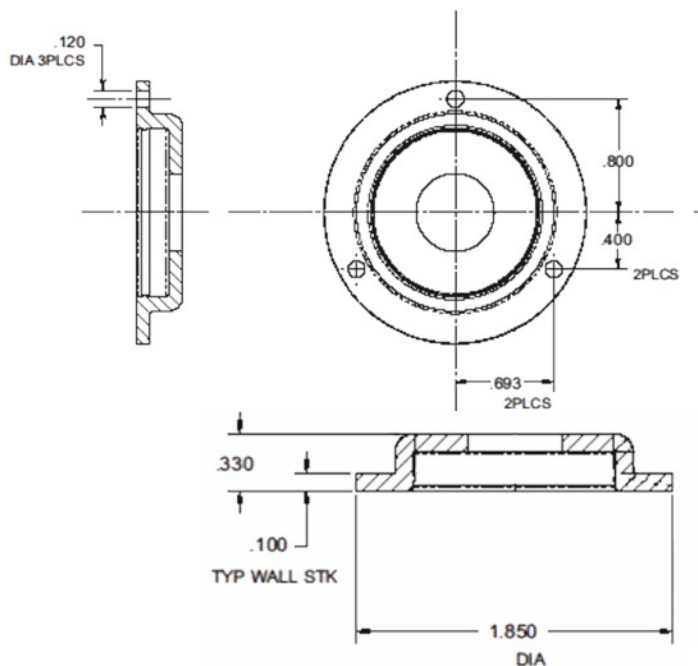


Top mount  
IP67 rated for dust  
and liquid ingress

RB1 eTouch with  
continuous white illumination,  
turns red when activated



### RB1 eTouch Specifications



The RB1 eTouch is our most innovative design, capacitance based and solid state, it contains no moving parts to wear. Continuously illuminated so it can be seen in the dark. Top mounted for easy installation, vandal resistant, low profile, dust and water proof. Secured using rounded brad nails to prevent tampering. The RB1 eTouch is designed to work with our T1000M2 transceiver.

