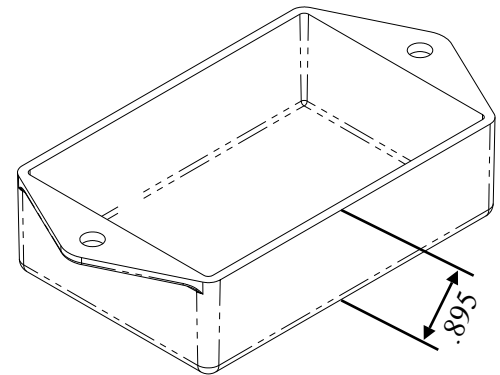
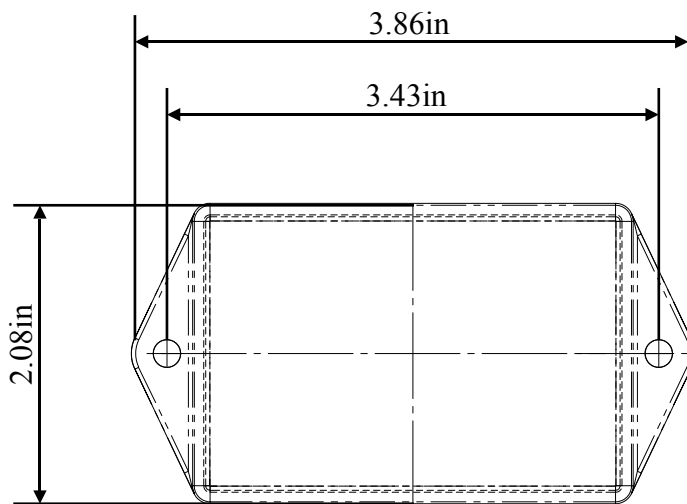




Available in
Red or Blue
Surface mount
IP67 rated for dust
and liquid ingress

BattSw Specifications



Top mounted for easy installation, pop in the supplied batteries, secure and you are ready to go. No wires, or drilling required. Perfect for all applications and great for retrofits. Made from high impact polycarbonate, vandal resistant, dust and water proof. Installs using specialized vandal resistant security screws. Available in Red or Blue. Two illuminating LEDs make the BattSw easily visible by servers. Screen printed custom logo available.

